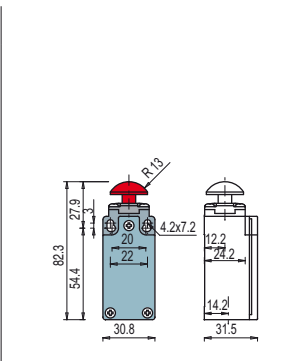
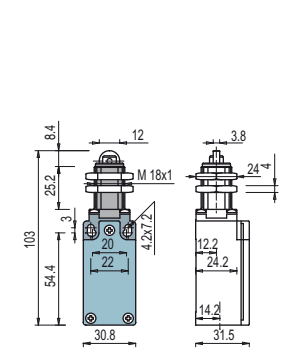
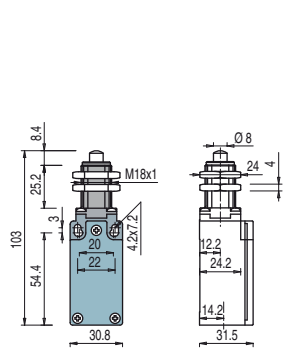
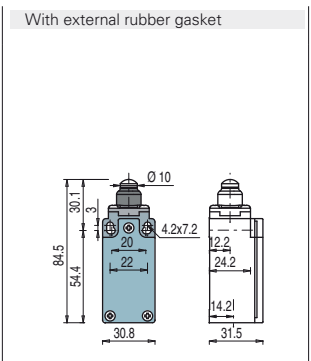
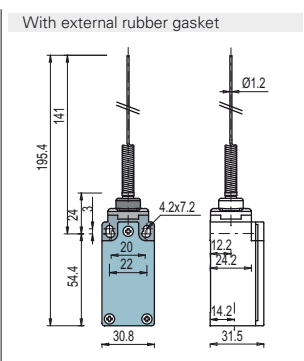
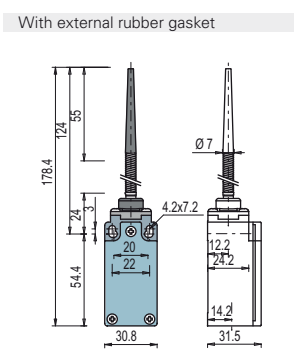
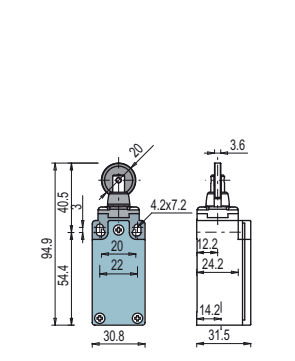
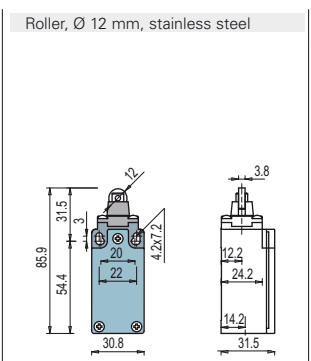




- Contact type:
- R** = snap action
 - L** = slow action
 - LO** = slow action overlapped
 - LS** = slow action shifted
 - LV** = slow action shifted and spaced
 - LI** = slow action independent
 - LA** = slow action closer
 - ⚡** = electronic PNP



5	R	FM 508-M2	1NO+1NC		
6	L	FM 608-M2	1NO+1NC		
7	LO	FM 708-M2	1NO+1NC		
9	L	FM 908-M2	2NC		
10	L	FM 1008-M2	2NO		
11	R	FM 1108-M2	2NC		
12	R	FM 1208-M2	2NO		
13	LV	FM 1308-M2	2NC		
14	LS	FM 1408-M2	2NC		
15	LS	FM 1508-M2	2NO		
18	LA	FM 1808-M2	1NO+1NC		
20	L	FM 2008-M2	1NO+2NC		
21	L	FM 2108-M2	3NC		
22	L	FM 2208-M2	2NO+1NC		
2	R	FM 208-M2	2x(1NO-1NC)		
E1	⚡	FM E108-M2	1NO-1NC		
5	R	FM 512-M2	1NO+1NC		
6	L	FM 612-M2	1NO+1NC		
7	LO	FM 712-M2	1NO+1NC		
9	L	FM 912-M2	2NC		
10	L	FM 1012-M2	2NO		
11	R	FM 1112-M2	2NC		
12	R	FM 1212-M2	2NO		
13	LV	FM 1312-M2	2NC		
14	LS	FM 1412-M2	2NC		
15	LS	FM 1512-M2	2NO		
18	LA	FM 1812-M2	1NO+1NC		
20	L	FM 2012-M2	1NO+2NC		
21	L	FM 2112-M2	3NC		
22	L	FM 2212-M2	2NO+1NC		
2	R	FM 212-M2	2x(1NO-1NC)		
E1	⚡	FM E112-M2	1NO-1NC		
5	R	FM 513-M2	1NO+1NC		
6	L	FM 613-M2	1NO+1NC		
7	LO	FM 713-M2	1NO+1NC		
9	L	FM 913-M2	2NC		
10	L	FM 1013-M2	2NO		
11	R	FM 1113-M2	2NC		
12	R	FM 1213-M2	2NO		
13	LV	FM 1313-M2	2NC		
14	LS	FM 1413-M2	2NC		
15	LS	FM 1513-M2	2NO		
18	LA	FM 1813-M2	1NO+1NC		
20	L	FM 2013-M2	1NO+2NC		
21	L	FM 2113-M2	3NC		
22	L	FM 2213-M2	2NO+1NC		
2	R	FM 213-M2	2x(1NO-1NC)		
E1	⚡	FM E113-M2	1NO-1NC		
5	R	FM 514-M2	1NO+1NC		
6	L	FM 614-M2	1NO+1NC		
7	LO	FM 714-M2	1NO+1NC		
9	L	FM 914-M2	2NC		
10	L	FM 1014-M2	2NO		
11	R	FM 1114-M2	2NC		
12	R	FM 1214-M2	2NO		
13	LV	FM 1314-M2	2NC		
14	LS	FM 1414-M2	2NC		
15	LS	FM 1514-M2	2NO		
18	LA	FM 1814-M2	1NO+1NC		
20	L	FM 2014-M2	1NO+2NC		
21	L	FM 2114-M2	3NC		
22	L	FM 2214-M2	2NO+1NC		
2	R	FM 214-M2	2x(1NO-1NC)		
E1	⚡	FM E114-M2	1NO-1NC		
Max. speed		page 239 - type 4	page 239 - type 4	page 239 - type 2	page 239 - type 4
Min. force		8 N (25 N ⊕)	8 N (25 N ⊕)	8 N (25 N ⊕)	8 N (25 N ⊕)
Travel diagrams		page 240 - group 1	page 240 - group 1	page 240 - group 1	page 240 - group 1



5	R	FM 515-M2R28	1NO+1NC		
6	L	FM 615-M2R28	1NO+1NC		
7	LO	FM 715-M2R28	1NO+1NC		
9	L	FM 915-M2R28	2NC		
10	L	FM 1015-M2R28	2NO		
11	R	FM 1115-M2R28	2NC		
12	R	FM 1215-M2R28	2NO		
13	LV	FM 1315-M2R28	2NC		
14	LS	FM 1415-M2R28	2NC		
15	LS	FM 1515-M2R28	2NO		
18	LA	FM 1815-M2R28	1NO+1NC		
20	L	FM 2015-M2R28	1NO+2NC		
21	L	FM 2115-M2R28	3NC		
22	L	FM 2215-M2R28	2NO+1NC		
2	R	FM 215-M2R28	2x(1NO-1NC)		
E1	⚡	FM E115-M2R28	1NO-1NC		
5	R	FM 516-M2	1NO+1NC		
6	L	FM 616-M2	1NO+1NC		
7	LO	FM 716-M2	1NO+1NC		
9	L	FM 916-M2	2NC		
10	L	FM 1016-M2	2NO		
11	R	FM 1116-M2	2NC		
12	R	FM 1216-M2	2NO		
13	LV	FM 1316-M2	2NC		
14	LS	FM 1416-M2	2NC		
15	LS	FM 1516-M2	2NO		
18	LA	FM 1816-M2	1NO+1NC		
20	L	FM 2016-M2	1NO+2NC		
21	L	FM 2116-M2	3NC		
22	L	FM 2216-M2	2NO+1NC		
2	R	FM 216-M2	2x(1NO-1NC)		
E1	⚡	FM E116-M2	1NO-1NC		
5		FM 520-M2	1NO+1NC		
6		FM 620-M2	1NO+2NC		
7		FM 720-M2	3NC		
9		FM 920-M2	2NO+1NC		
10		FM 1020-M2	2NO		
11		FM 1120-M2	2NC		
12		FM 1220-M2	2NO		
13		FM 1320-M2	2NC		
14		FM 1420-M2	2NC		
15		FM 1520-M2	2NO		
18		FM 1820-M2	1NO+1NC		
20		FM 2020-M2	1NO+2NC		
21		FM 2120-M2	3NC		
22		FM 2220-M2	2NO+1NC		
2		FM 220-M2	2x(1NO-1NC)		
E1		FM E120-M2	1NO-1NC		
5		FM 521-M2	1NO+1NC		
6		FM 621-M2	1NO+2NC		
7		FM 721-M2	3NC		
9		FM 921-M2	2NO+1NC		
10		FM 1021-M2	2NO		
11		FM 1121-M2	2NC		
12		FM 1221-M2	2NO		
13		FM 1321-M2	2NC		
14		FM 1421-M2	2NC		
15		FM 1521-M2	2NO		
18		FM 1821-M2	1NO+1NC		
20		FM 2021-M2	1NO+2NC		
21		FM 2121-M2	3NC		
22		FM 2221-M2	2NO+1NC		
2		FM 221-M2	2x(1NO-1NC)		
E1		FM E121-M2	1NO-1NC		
Max. speed		page 239 - type 2	page 239 - type 2	1 m/s	1 m/s
Min. force		8 N (25 N ⊕)	8 N (25 N ⊕)	0.07 Nm	0.07 Nm
Travel diagrams		page 240 - group 1	page 240 - group 1	page 240 - group 4	page 240 - group 4

All measures in the drawings are in mm

Items with code on green background are stock items

Accessories See page 225